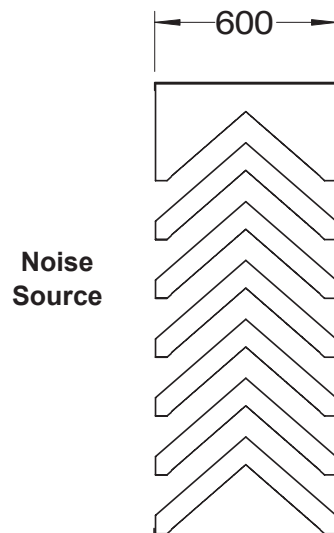
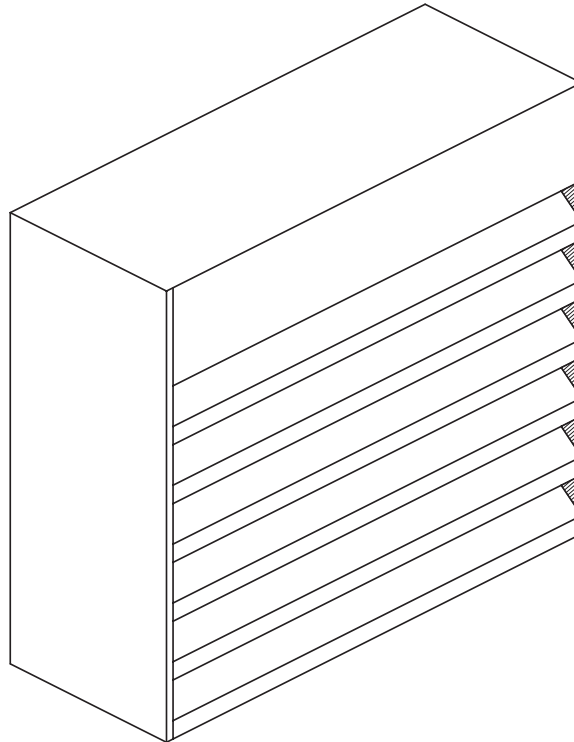


600 Series



**TYPICAL SECTIONAL
ELEVATION**